

Saturday 11-06-2022 - Part 2 (Route 2)

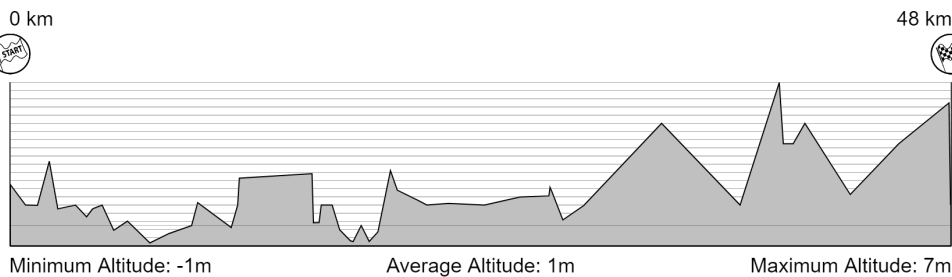
**48
Km**

**55
Waypoints**

**48 Km
Fuel Range**

From Schagen car museum to lunch restaurant in Julianadorp aan Zee.

Be carefull for Cyclists, they have right of way on almost every road.



START

Car Museum Schagen


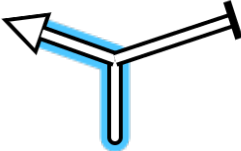
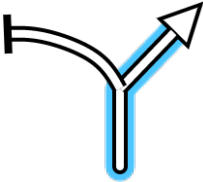
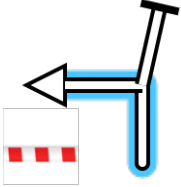
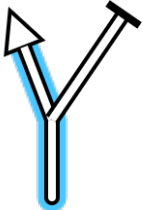
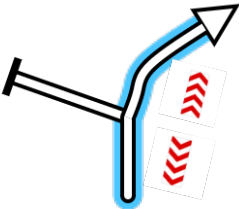
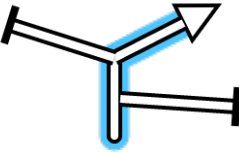
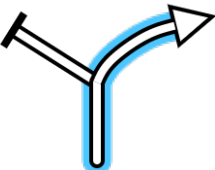
FINISH

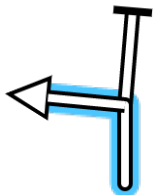
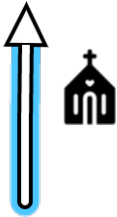

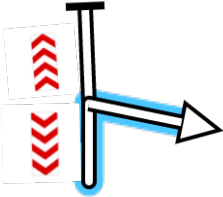
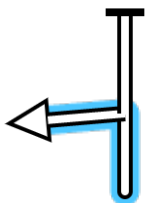
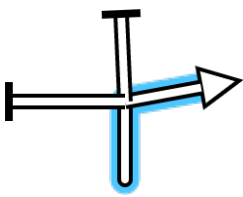
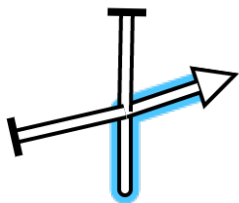
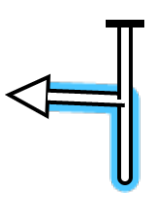
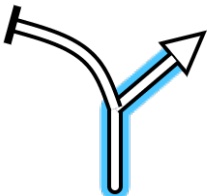
Lunch, Julianadorp aan Zee

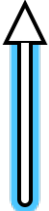
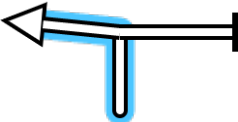
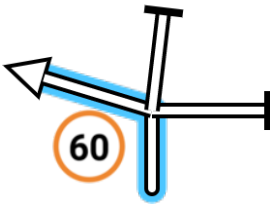


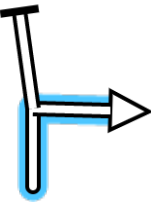
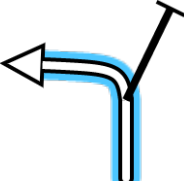

WARNING!!!

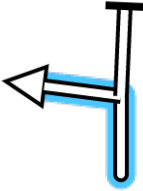
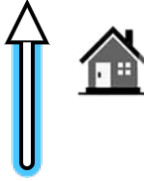
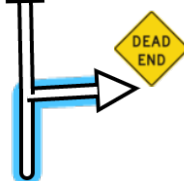
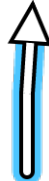
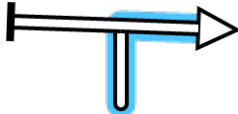

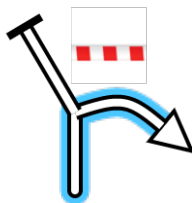

THIS ROUTE MAY BE DANGEROUS. FOLLOW THIS ROUTE AT YOUR OWN RISK.

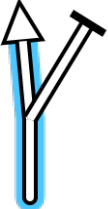
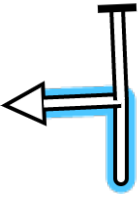
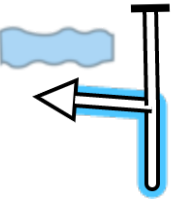
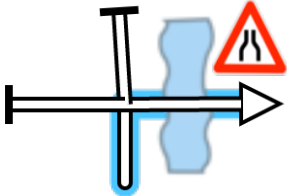
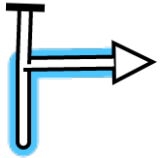
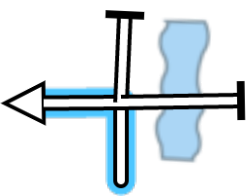
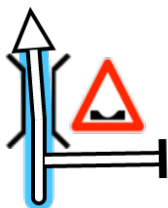
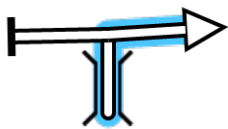
Conditions change over time. Route leads to remote areas many miles from help. This is not a "closed" course. The route crosses and travels on public roads and highways where other vehicles, pedestrians, and animals may be present. Some hazards are identified here, for illustration purposes only, but most hazards are not identified or marked. Information provided is approximate, and should not be considered precise. Obey all laws and use caution at all times. If signs, maps, or other indicators suggest the route travels into closed, illegal, private property, or otherwise restricted areas, this roadbook should not be followed into such areas.
RALLY NAVIGATOR IS NOT RESPONSIBLE FOR THE ACCURACY OR SAFETY OF THIS ROUTE.

PAGE 1	Saturday 11-06-2022 - Part 2 (Route 2)	KM TOTAL : 48.15
<p>0,00 0.00Mi 0,00</p> <p>0,00 1</p>	 <p>0000 Reset</p>	<p>Start from Museum entrance (continue on the route!)</p> <p>052°47.408'N 004°47.273'E</p>
<p>0,78 0.48Mi</p> <p>0,78 ↓ 2</p>		<p>[Lagendijkerweg]</p> <p>052°47.639'N 004°46.873'E</p>
<p>0,82 0.51Mi</p> <p>0,04 3</p>		<p>[Lagedijkerweg]</p> <p>052°47.627'N 004°46.841'E</p>
<p>1,39 0.86Mi</p> <p>0,57 4</p>		<p>[Nieuwedijk]</p> <p>052°47.781'N 004°46.421'E</p>
<p>1,99 1.24Mi</p> <p>0,60 5</p>		<p>Stay Left [Oudedijk]</p> <p>052°47.641'N 004°45.983'E</p>
<p>2,43 1.51Mi</p> <p>0,44 6</p>		<p>Stay Right [Oudedijk]</p> <p>052°47.446'N 004°46.179'E</p>
<p>3,34 2.07Mi</p> <p>0,91 7</p>		<p>"Valkkoog" "St.Maarten"[Oudedijk]</p> <p>052°47.009'N 004°46.529'E</p>
<p>3,90 2.42Mi</p> <p>0,56 8</p>		<p>[Ouddijk] >> [Valkkogerdijk]</p> <p>052°46.764'N 004°46.484'E</p>

PAGE 2	Saturday 11-06-2022 - Part 2 (Route 2)	KM TOTAL : 48.15
4,21 2.62Mi 0,31 9		"Valkkoog" [Valkkogerweg] 052°46.674'N 004°46.271'E
4,70 2.92Mi 0,49 10		 question 4, little church of 052°46.475'N 004°46.291'E
5,29 3.29Mi 0,59 11		[Killemerweg] 052°46.229'N 004°46.199'E
5,99 3.72Mi 0,70 12		[Delftweg] 052°46.153'N 004°45.589'E
7,14 4.44Mi 1,15 13		[Groenveldsdijk] 052°45.598'N 004°46.031'E
8,12 5.04Mi 0,98 14		[Stroet] 052°45.200'N 004°45.530'E
9,28 5.77Mi 1,16 ↓ 15		"Rijp" "Tuitjenhorn"[Rijperweg] 052°45.729'N 004°45.240'E
9,59 5.96Mi 0,02 16		[Wijzendweg] 052°45.715'N 004°44.967'E

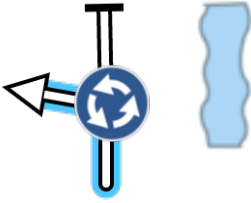

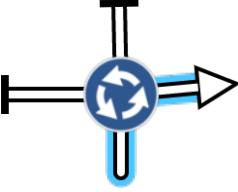
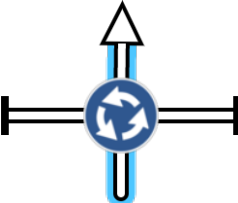
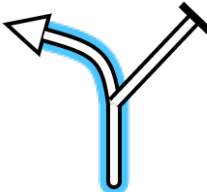


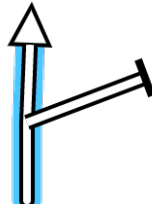
PAGE 3	Saturday 11-06-2022 - Part 2 (Route 2)	KM TOTAL : 48.15
11,31 7.03Mi		[Wijzendweg] >> [Herenweg] <small>052°46.342'N 004°44.440'E</small>
1,72 17		
11,64 7.23Mi		[Hoge Buurt] <small>052°46.492'N 004°44.549'E</small>
0,33 ↓ 18		
11,72 7.28Mi		[Westfrieze Zeekdijk] <small>052°46.498'N 004°44.475'E</small>
0,08 19		
15,44 9.60Mi		Stay Left [Selschardijk] <small>052°44.821'N 004°43.301'E</small>
3,72 ↓ 20		
15,52 9.64Mi		[Selschardijk] <small>052°44.784'N 004°43.299'E</small>
0,08 ↓ 21		
15,80 9.82Mi		[Surmerhuizer -weg] <small>052°44.740'N 004°43.543'E</small>
0,28 ↓ 22		
15,92 9.89Mi		[Surmerhuizer -weg] <small>052°44.681'N 004°43.523'E</small>
0,12 23		
16,48 10.24Mi		"Burgerbrug" "Petten" [Kerkweg] <small>052°44.393'N 004°43.504'E</small>
0,56 24		


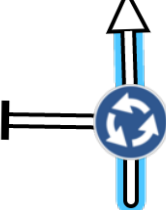
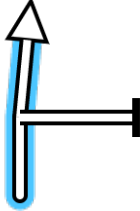

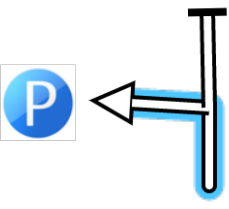
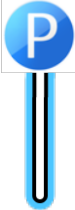
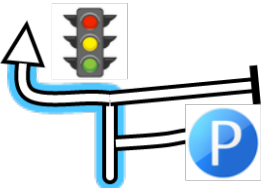
PAGE 4	Saturday 11-06-2022 - Part 2 (Route 2)	KM TOTAL : 48.15
16,8⁶ 10.48Mi 0,38 25		[Burchtweg] <small>052°44.408'N 004°43.162'E</small>
17,4¹ 10.82Mi 0,55 ↓ 26		Next on the right is an optional visit of the ViewPoint <small>052°44.128'N 004°43.014'E</small>
17,55 10.90Mi 0,14 27		You enter a dead end street, beware of turning cars! <small>052°44.062'N 004°42.958'E</small>
17,9⁶ 11.16Mi 0,41 28		Huys te Nieuwendorne, question 5 make a u-turn <small>052°44.126'N 004°42.604'E</small>
18,3⁷ 11.42Mi 0,41 29		Continue on [Burchtweg] <small>052°44.059'N 004°42.953'E</small>
18,8² 11.69Mi 0,45 30		[Trambaan] <small>052°43.846'N 004°42.772'E</small>
19,4⁶ 12.09Mi 0,64 31		[Westfriese Zeedijk] <small>052°43.961'N 004°42.240'E</small>
19,8¹ 12.31Mi 0,35 32		on your right you see the viewpoint with other Eurotour drivers <small>052°44.107'N 004°42.373'E</small>

PAGE 5	Saturday 11-06-2022 - Part 2 (Route 2)	KM TOTAL : 48.15
20,9² 13.00Mi		Stay left [Westfriese Zeedijk]
1,11	33	052°44.411'N 004°42.888'E
21,3² 13.25Mi		[Burgerweg]
0,40	34	052°44.605'N 004°43.024'E
22,4³ 13.94Mi		[Grote Sloot]
1,11	35	052°44.870'N 004°42.135'E
24,2⁴ 15.06Mi		[Grote Sloot] (Narrow bridge)
1,81 ↓	36	052°43.990'N 004°41.450'E
24,2⁸ 15.09Mi		[Grote Sloot] then wave to the other Eurotour cars on your right!
0,04	37	052°43.994'N 004°41.414'E
26,0⁹ 16.21Mi		[Burgerweg]
1,81	38	052°44.875'N 004°42.113'E
27,5⁷ 17.13Mi		drive slowly, floating bridge with sharp angles
1,48 ↓	39	052°45.236'N 004°40.947'E
27,6³ 17.17Mi		[N9 / Rijksweg]
0,06 ↓	40	052°45.235'N 004°40.892'E

PROXIMA NOTA
PROCH NOTE
NEXT NOTE

0,10

PAGE 6	Saturday 11-06-2022 - Part 2 (Route 2)	KM TOTAL : 48.15
27,7³ 17.23Mi 0,10 41		[Pettemerweg] <small>052°45.286'N 004°40.887'E</small>
28,2⁹ 17.58Mi 0,56 42		Avia <small>052°45.352'N 004°40.503'E</small>
29,3⁵ 18.24Mi 1,06 43		[Westerduinweg / N502] <small>052°45.605'N 004°39.651'E</small>
33,3⁴ 20.72Mi 3,99 44		[N502] <small>052°47.523'N 004°41.240'E</small>
37,3⁶ 23.21Mi 4,02 45		[Westerduinweg] >> [Zuidschinkeldijk] <small>052°49.449'N 004°42.790'E</small>
39,3⁷ 24.46Mi 2,01 ↓ 46		[Zuidschinkeldijk] >> [Dorpsplein] <small>052°50.106'N 004°41.530'E</small>
39,5⁷ 24.59Mi 0,20 47		Stay Left [Dorpsplein] >> [Dorpsweg] <small>052°50.151'N 004°41.697'E</small>
40,0⁸ 24.90Mi 0,51 48		[Dorpsweg] >> [Duinweg / N502] <small>052°50.389'N 004°41.674'E</small>

PAGE 7	Saturday 11-06-2022 - Part 2 (Route 2)	KM TOTAL : 48.15
40,68 25.28Mi 0,60 49		[Duinweg / N502] <small>052°50.695'N 004°41.832'E</small>
43,00 26.72Mi 2,32 50		[Duinweg / N502] <small>052°51.713'N 004°42.637'E</small>
45,48 28.26Mi 2,48 51		[Duinweg] >> [Zanddijk] <small>052°52.991'N 004°42.944'E</small>
48,05 29.86Mi 2,57 ↓ 52		"P Strand De Zandloper" [Noorder Sandt] <small>052°54.371'N 004°43.135'E</small>
48,13 29.91Mi 0,08 ↓ 53		Parking [Noorder Sandt] Park your car here <small>052°54.368'N 004°43.205'E</small>
48,15 29.92Mi 0,02 ↓ 54		The lunch restaurant 'Zee van Tijd' is a 2 minute walk through the dunes. <small>052°54.376'N 004°43.207'E</small>
48,15 29.92Mi 0,00 55		Cross the road at the traffic lights and follow the path into the dunes. <small>052°54.379'N 004°43.207'E</small>

48
Km

55
Waypoints

48 Km
Fuel Range

START

Car Museum Schagen

FINISH

Lunch, Julianadorp aan Zee

POWERED BY



Saturday 11-06-2022 - Part 2 (Route 2)

WWW.RALLYNAVIGATOR.COM